

# MK6

## BLIND MATE WITH EXPANDING SHAFT

0.5 - 10 Nm

### PROPERTIES



#### FEATURES

- ▶ easy installation and removal
- ▶ solution for mismatched bore / shaft diameters
- ▶ absolutely backlash free assembly

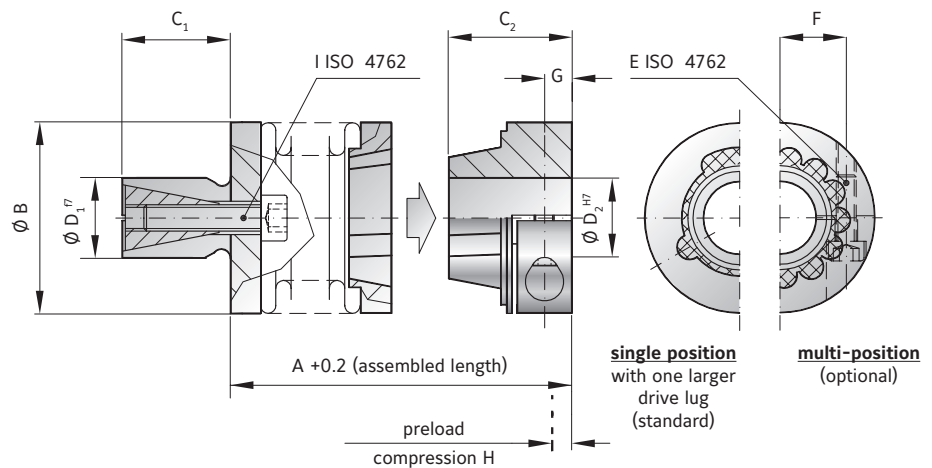
#### MATERIAL

- ▶ **Bellows:** high grade stainless steel

- ▶ **Tapered male segment:** high strength plastic
- ▶ **Clamping hub:** aluminium
- ▶ **Expanding shaft:** steel

#### DESIGN

One clamping hub with a tapered male projection for blind mate connection and one expanding shaft system.



## MODEL MK6

SIZE			5			15		20			45		100	
Rated torque	(Nm)	$T_{KN}$	0.5			1.5		2			4.5		10	
Overall length (inserted)	(mm)	$A^{+0.2}$	21	24	27	27	32	28	34	38	38	46	45	55
Outside diameter	(mm)	B	15			19		25			32		40	
Shaft length	(mm)	$C_1$	10			12		12			15		20	
Fit length	(mm)	$C_2$	12			14		16			20		21.5	
Standard shaft $\varnothing f7$	(mm)	$D_1$	8-10			10-14		10-16			14-20		16-24	
Inside diameter possible from $\varnothing$ to $\varnothing H7$	(mm)	$D_2$	3-6.35			3-8		3-12.7			5-16		5-20	
Fastening screw ISO 4762		E	M2			M2.5		M3			M4		M4	
Tightening torque of the fastening screw	(Nm)		0.43			0.85		2.3			4		4.5	
Distance between centerlines	(mm)	F	4.5			6		8			10		15	
Distance	(mm)	G	3			3.5		4			5		5	
Preload compression	(mm)	H	0.4			0.5		0.5			0.7		1	
Axial recovery force at max. preload compression	(N)		5	3	2	4	3	3	4	3	15	10	25	30
Fastening screw ISO 4762		I	M3			M4		M4			M5		M6	
Tightening torque of the fastening screw	(Nm)		1.5			3		4			6.5		11	
Moment of inertia	( $gcm^2$ )	$J_{ges}$	3.0	3.2	3.5	9.0	10	28	30	33	110	120	220	230
Torsional stiffness	(Nm/rad)	$C_T$	280	210	170	750	700	1200	1300	1200	7000	5000	9050	8800
Lateral	(mm)	Max. values	0.15	0.2	0.25	0.15	0.2	0.15	0.2	0.25	0.2	0.25	0.2	0.3
Angular	(degree)		1	1.5	2	1.5	1.5	1.5	1.5	2	1.5	2	1.5	2

ORDERING EXAMPLE	MK6	20	28	12	9.53	XX
Model	●					Special designation only (e.g. special bore / shaft tolerance).
Size		●				
Overall length mm			●			
Shaft D1 f7				●		
Bore D2 H7					●	

For custom features place an XX at the end of the part number and describe the special requirements (e.g. MK6 / 20 / 28 / 12 / 9.53 / XX; XX=finely balanced for 25,000 rpm)