

MK5

BLIND MATE WITH CLAMPING HUB

0.5 - 10 Nm

PROPERTIES



FEATURES

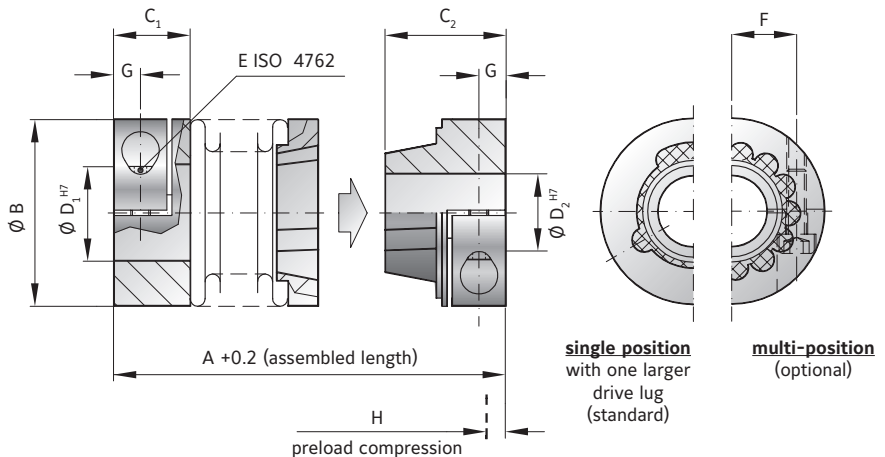
- ▶ easy installation and removal
- ▶ electrically and thermally isolating
- ▶ absolutely backlash free assembly

DESIGN

Two clamping hubs, one of which has a tapered male projection for blind mate connection.

MATERIAL

- ▶ **Bellows:** high grade stainless steel
- ▶ **Hubs:** aluminium
- ▶ **Tapered male segment:** high strength plastic



MINIATURE
COUPLINGS MK

MODEL MK5

SIZE		5			15		20			45		100	
Rated torque (Nm)	T_{KN}	0.5			1.5		2			4.5		10	
Overall length (inserted) (mm)	$A^{+0.2}$	27	30	33	34	39	37	43	46	49	57	55	65
Outside diameter (mm)	B	15			19		25			32		40	
Fit length (mm)	C_1	9			11		13			16		16	
Fit length (mm)	C_2	12			14		16			20		21.5	
Inside diameter possible from \emptyset to \emptyset H7 (mm)	D_1	3-7			3-8		3-12.7			5-16		5-24	
Inside diameter possible from \emptyset to \emptyset H7 (mm)	D_2	3-6.35			3-8		3-12.7			5-16		5-20	
Fastening screw ISO 4762	E	M2			M2.5		M3			M4		M4	
Tightening torque of the fastening screw (Nm)		0.43			0.85		2.3			4		4.5	
Distance between centerlines (mm)	F	4.5			6		8			10		15	
Distance (mm)	G	3			3.5		4			5		5	
Preload compression (mm)	H	0.4			0.5		0.5			0.7		1	
Axial recovery force at max. preload compression (N)		5	3	2	4	3	3	4	3	15	10	25	30
Moment of inertia (gcm^2)	J_{ges}	3.0	3.2	3.5	9.0	10	28	30	33	110	120	220	230
Torsional stiffness (Nm/rad)	C_T	280	210	170	750	700	1200	1300	1200	7000	5000	9050	8800
Axial* (mm)	Max. values	0.4	0.5	0.6	0.5	0.7	0.5	0.6	0.7	0.7	1	1	1.2
Lateral (mm)		0.15	0.2	0.25	0.15	0.2	0.15	0.2	0.25	0.2	0.25	0.2	0.3
Angular (degree)		1	1.5	2	1.5	1.5	1.5	1.5	2	1.5	2	1.5	2

* in addition to maximum pretensioning

ORDERING EXAMPLE	MK5	20	37	6	9.53	XX
Model	●					
Size		●				
Overall length mm			●			
Bore D1 H7				●		
Bore D2 H7					●	

For custom features place an XX at the end of the part number and describe the special requirements (e.g. MK5 / 20 / 37 / 6 / 9.53 / XX; XX=finely balanced for 25,000 rpm)