

BKL/003

ECOFLEX® WITH CLAMPING HUB

3 Nm



PROPERTIES

FEATURES

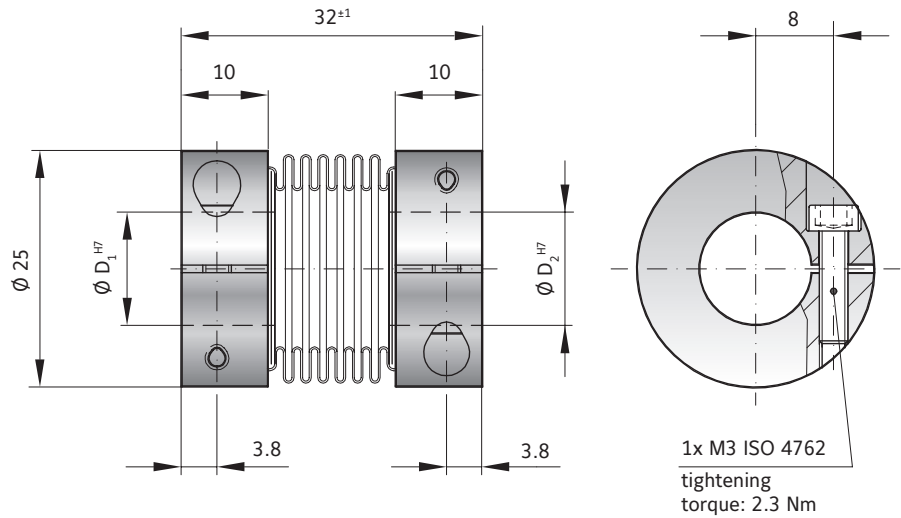
- ▶ economically priced
- ▶ backlash free and torsionally stiff
- ▶ wear free and robust

DESIGN

Two clamping hubs, each with a clamping screw.
Operational from -40 to +200° C

MATERIAL

- ▶ **Bellows:** high grade stainless steel
- ▶ **Hubs:** aluminium



MODEL BKL/003

| SIZE | | | 3 |
|---|---------------------|-------------|-----------|
| Rated torque | (Nm) | T_{KN} | 3 |
| Standard bore diameters H7 | (mm) | D_1, D_2 | 3 to 12.7 |
| Moment of inertia | (gcm ²) | $J_{ges.}$ | 20 |
| Approximate weight | (g) | | 23 |
| Tightening torque of the fastening screws | (Nm) | | 2.3 |
| Torsional stiffness | (Nm/rad) | C_T | 994 |
| Axial | (mm) | Max. values | 1 |
| Lateral | (mm) | | 0.2 |
| Angular | (degree) | | 2 |

ECOFLEX®:

The low cost alternative for encoders, potentiometers, stepper motors, and small servo drives.

| ORDERING EXAMPLE | BKL | 003 | 3 | 6.35 | XX |
|---|-----|-----|---|------|----|
| Model | ● | | | | |
| Size | | ● | | | |
| Bore D1 H7 | | | ● | | |
| Bore D2 H7 | | | | ● | |
| Special designation only (e.g. special bore tolerance). | | | | | |

For custom features place an XX at the end of the part number and describe the special requirements (e.g. BKL / 003 / 3 / 6.35 / XX; XX=stainless steel hubs)