

EK1

WITH KEYWAY CONNECTION

0.5 - 2,150 Nm



PROPERTIES

FEATURES

- ▶ press fit design
- ▶ readily modified for custom dimensions
- ▶ low backlash (keyway)

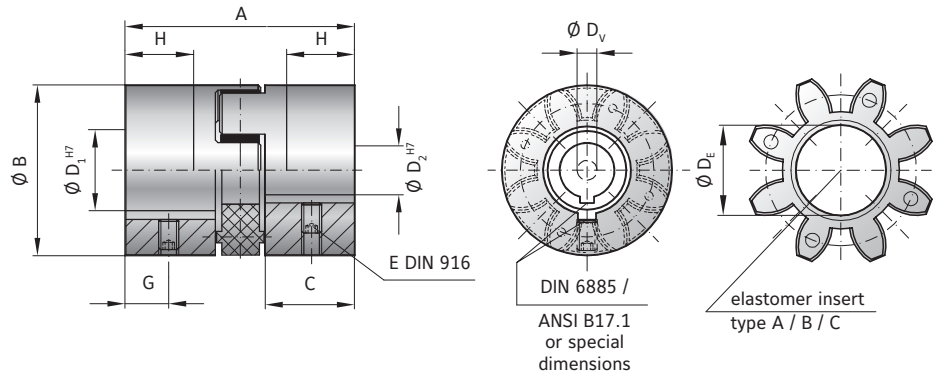
MATERIAL

- ▶ **Hubs:** up to size 450 high strength aluminum; size 800 steel
- ▶ **Elastomer:** wear resistant thermally stable TPU

DESIGN

Two concentrically machined hubs with curved jaws, keyways, and set screws.

Optional:
Conical bores for Fanuc motors and other tapered shafts available.



MODEL EK1

SIZE		2			5			10			20			60			150			300			450			800		
Type (Elastomer insert)		A	B	C	A	B	C	A	B	C	A	B	C	A	B	C	A	B	C	A	B	C	A	B	C	A	B	C
Rated torque (Nm)	T_{KN}	2	2.4	0.5	9	12	2	12.5	16	4	17	21	6	60	75	20	160	200	42	325	405	84	530	660	95	950	1100	240
Max. torque (Nm)	T_{Kmax}	4	4.8	1	18	24	4	25	32	6	34	42	12	120	150	35	320	400	85	650	810	170	1060	1350	190	1900	2150	400
Overall length (mm)	A	20			34			35			66			78			90			114			126			162		
Outside diameter (mm)	B/B ₁	15			25			32			42			56			66.5			82			102			136.5		
Mounting length (mm)	C	6.5			12			12			25			30			35			45			50			65		
Inside diameter (pilot bored) (mm)	D _v	3			4			6			7			9			14			16			22			29		
Inside diameter range H7 (mm)	D _{1/2}	3 - 9			6 - 15			6 - 18			8 - 25			12 - 32			19 - 38			20 - 45			28 - 60			32 - 80		
Inside diameter of elastomer (mm)	D _e	6.2			10.2			14.2			19.2			26.2			29.2			36.2			46.2			60.5		
Set screws (DIN 916)	E	see table (depending on bore Ø)**																										
Distance (mm)	G	3			5			6			9			11			12			15			17			30		
Possible shortening length (mm)	H	4			6			6			19			22			26			32			37			43		
Moment of inertia per hub (10 ⁻³ kgm ²)	J ₁ /J ₂	0.0001			0.001			0.003			0.02			0.06			0.1			0.4			1.1			12		
Approx. weight (kg)		0.008			0.03			0.08			0.15			0.35			0.6			1.1			1.7			11		
Speed standard (min ⁻¹)		15,000			15,000			13,000			12,500			11,000			10,000			9,000			8,000			4,000		
Speed balanced (10 ³ min ⁻¹)		60	67	45	57	65	43	53	63	40	45	60	35	31	31	25	22	26	18	22	26	16	16	17	12	13	13	8

For information on shaft misalignment, torsional stiffness, and other details about the elastomer inserts see handbook precision couplings pages 72 + 73.

** set screw size							
D ₁ /D ₂	- Ø 10	Ø 10.1 - 12	Ø 12.1 - 30	Ø 30.1 - 60	Ø 60.1 - 95	Ø 95.1 - 130	Ø 130.1 - 170
E	M3	M4	M5	M8	M10	M12	M16