

Clear Polycarbonate Filters

These Clear Polycarbonate Filters offer easy visual inspection of the filter element. At a glance, your maintenance staff can quickly see if the element is dirty or clogged. Why should you have these filters in your plant?

Clear Filters are Installed "In Line"

- No more piping issues with horizontal configuration.
- Easy to install into existing vacuum lines.
- When your vacuum process is turned off, no filtered particulates can fall into the pump.



Visual Inspection

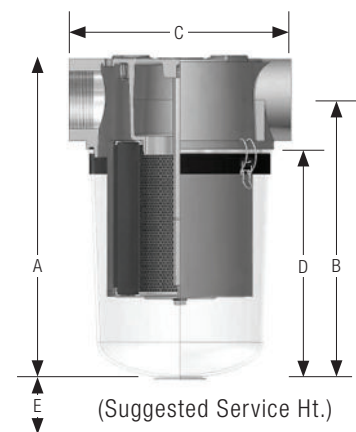
- Significantly reduces the risk of a clogged element which can cause overheating, pump failure, and loss of production.
- No more interrupting your vacuum process to check the filter elements.
- Less maintenance time required for routine inspections.

All These Benefits Make This Filter the Clear Choice for Keeping Your Vacuum Pumps Clean and Trouble Free

Clear Polycarbonate Filter Specifications

Model Number	Clear Filter	Inlet & Outlet	Dimensions					Rated Flow (CFM)	Rated Flow Element (CFM)	Est. Weight (lbs.)
			A	B	C	D	E			
74234P400C0	4"	4	19.75	17	13.5	14	9	520	570	30
74234P300C0	3"	3	19.75	17	13.5	14	9	300	570	30
74850P250C0	2.5"	2.5	16.25	14.25	9	12.5	9	210	290	13
74850P200C0	2"	2	16.25	14.25	9	12.5	9	175	290	14
74896P150C0	1.5"	1.5	13.38	11.93	7	10.38	9	80	115	10
74896P125C0	1.25"	1.25	13.38	11.93	7	10.38	9	60	115	11
74896P100C0	1"	1	13.38	11.93	7	10.38	9	40	115	11

**Paper media is standard. Polyester media available for wet applications. All dimensions are in inches.*



Contact our staff today. We're ready to help. Call 888-633-1083 or email: info@beckerpumps.com.



Nationwide Sales and Service: USA, Canada, and Mexico 888-633-1083

Becker Pumps Corp. • 100 East Ascot Lane • Cuyahoga Falls, Ohio 44223
 Tel 330-928-9966 • Fax 330-928-7065 • info@beckerpumps.com • www.beckerpumps.com