

Betriebsanleitung  
 Operating Instructions  
 Instructions de service  
 Istruzioni d'uso  
 Handleiding  
 Instrucciones para el manejo  
 Manual de instruções  
 Naudojimosi instrukcija  
 Kasutusjuhend  
 Lietošanas instrukcija  
 Driftsinstruks  
 Driftsinstruktioner  
 Käyttöohje  
 Driftsvejledning  
 Instrukcja obsługi

Kezelési útmutató  
 Návod k obsluze  
 Navodilo za uporabo  
 Návod na obsluhu  
 Upute za rad  
 Manual de operatii  
 Treoracha Oibriúcháin  
 Οδηγίες χρήσης  
 El Kitabi  
 Инструкции за експлоатация  
 Инструкция по эксплуатации  
 取扱説明書  
 사용설명서  
 使用说明书

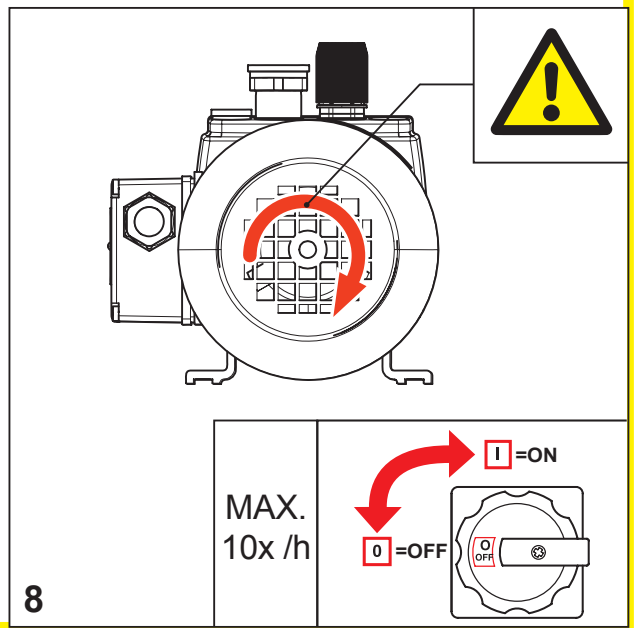
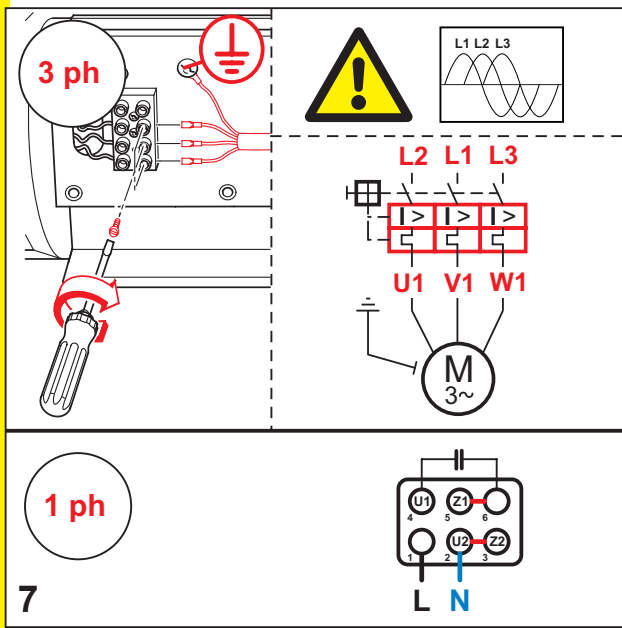
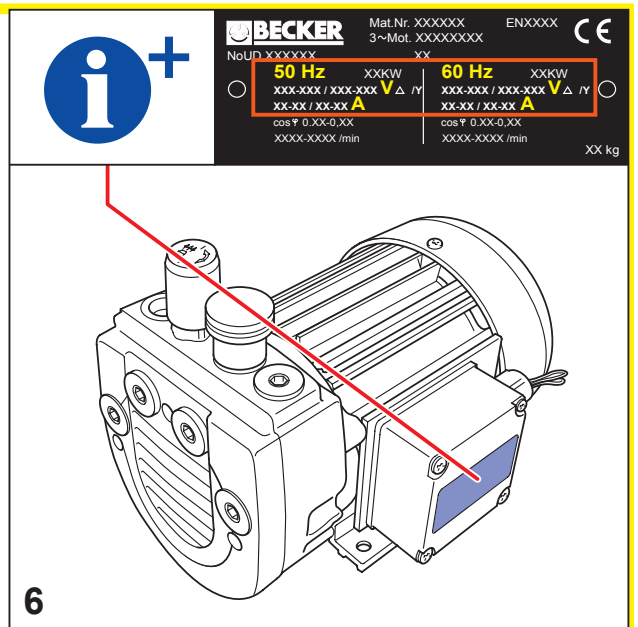
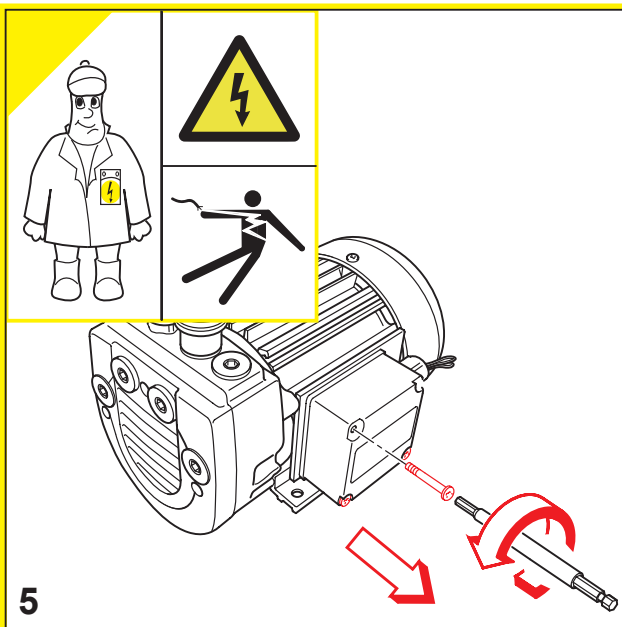
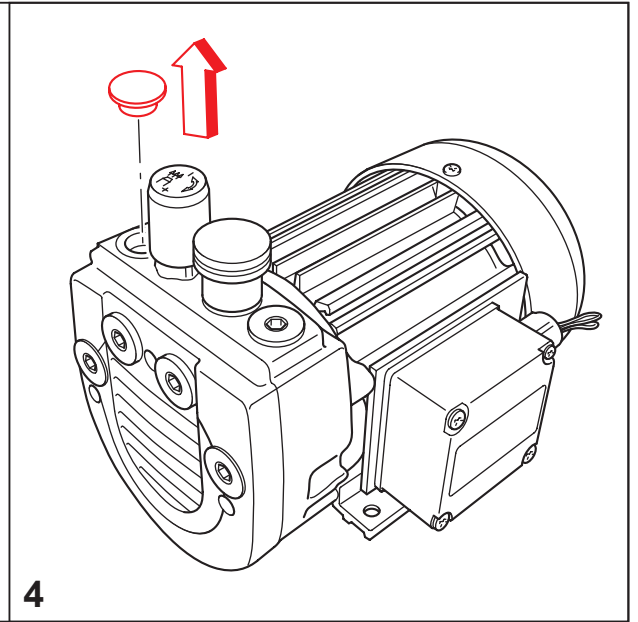
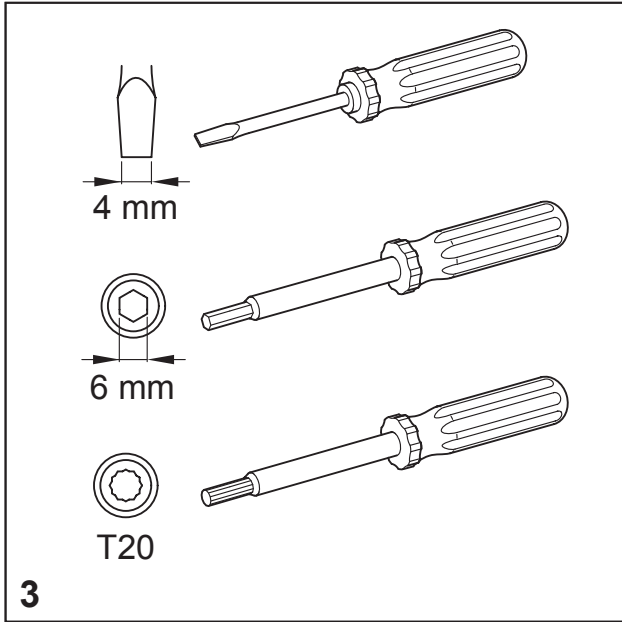
2006/42/EG

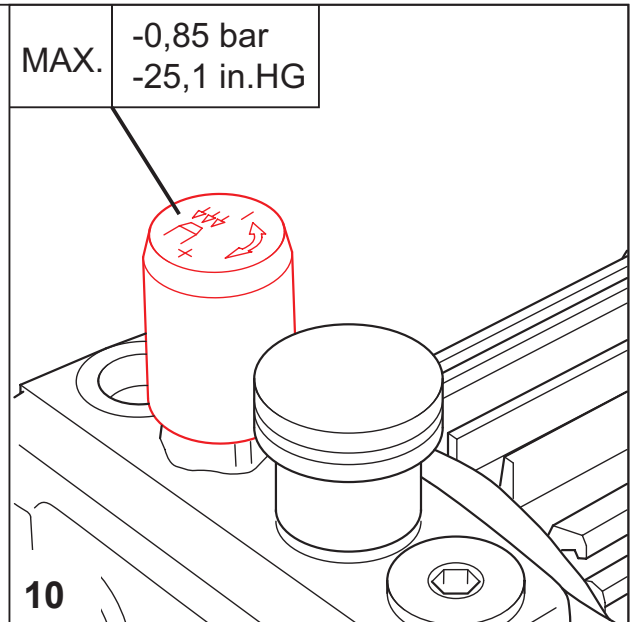
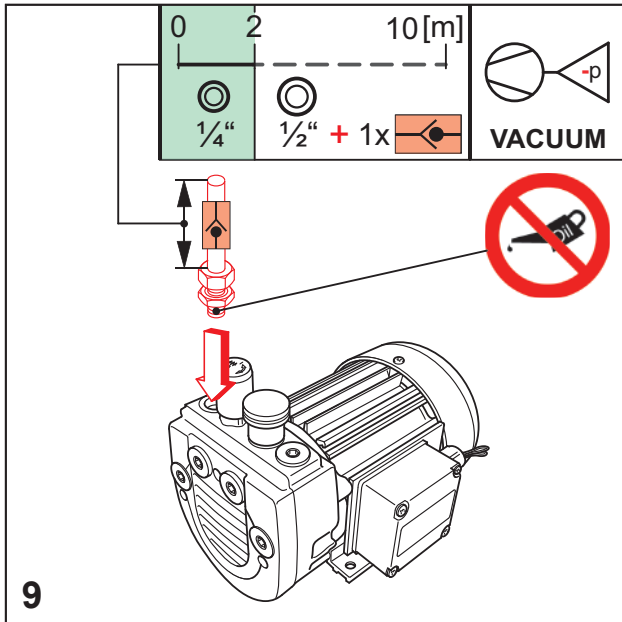


DIN EN ISO 9001  
 001929 QM  
 DIN EN ISO 14001:2015

										<b>MAX. VACUUM</b> mbar
										<b>MAX. V</b> mbar
										<b>MAX. V</b> m <sup>3</sup> /h
										<b>MAX. V</b> mbar
									<b>DIN EN ISO 3744</b>	$L_{pA} = 59 \text{ dB(A)} - 50\text{Hz}$ $L_{pA} = 61 \text{ dB(A)} - 60\text{Hz}$ $K_{pA} = 3 \text{ dB(A)}$

$A > 100\text{mm}$ $A > 4"$	$> 5^\circ\text{C}/41^\circ\text{F}$ $< 45^\circ\text{C}/113^\circ\text{F}$	max. 90%	max. 800m
<b>1</b> 	<b>2</b>		
<b>7 kg</b> <b>15,4 lbs</b>			





**A.**

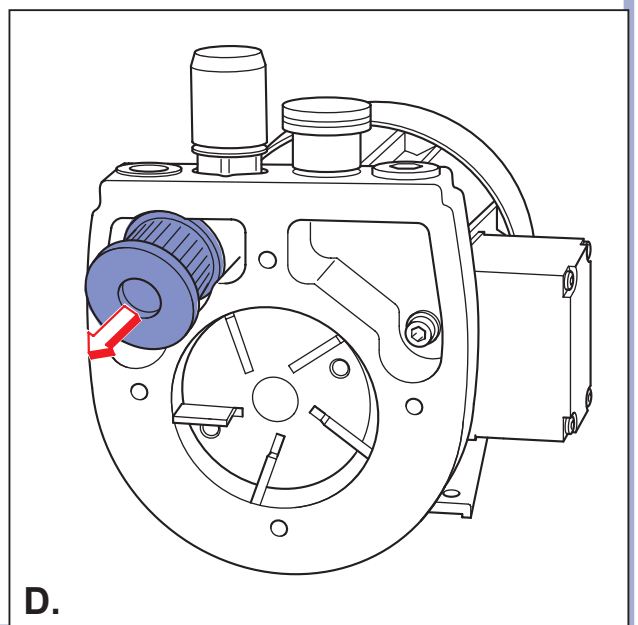
Panel A contains three safety icons: a worker in a white protective suit and helmet, a yellow triangular warning sign with three wavy lines representing heat, and a blue circular icon showing a pair of white gloves.

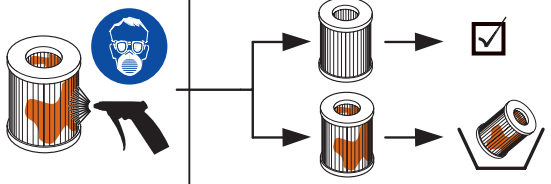
**B.**

Panel B contains four safety icons: a yellow triangular warning sign with a lightning bolt (electrical hazard), a blue circular icon of a power switch with a red arrow pointing to the "OFF" position, a blue circular icon of a padlock (lockout), and a blue oval with the text "n=0 min<sup>-1</sup>" and a speedometer icon showing "2-3 Min" with a crossed-out wrench.

**C.**

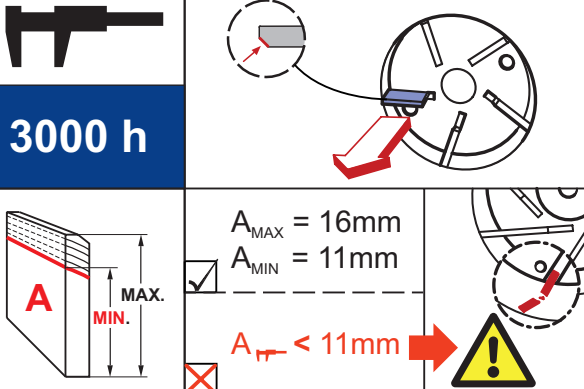
Diagram 11 shows a cleaning interval of 40h to 200h. It includes a filter icon and the text "cleaning interval" with a blue arrow pointing left. Below this, it specifies "EN149 - FFP3" and "42 CFR 84 - N100". A red arrow points to a red warning symbol: a crossed-out wrench, indicating that the vacuum should not be used with tools.






D: 25 mm  
H: 24 mm  
No.: 9095800000

**E.**

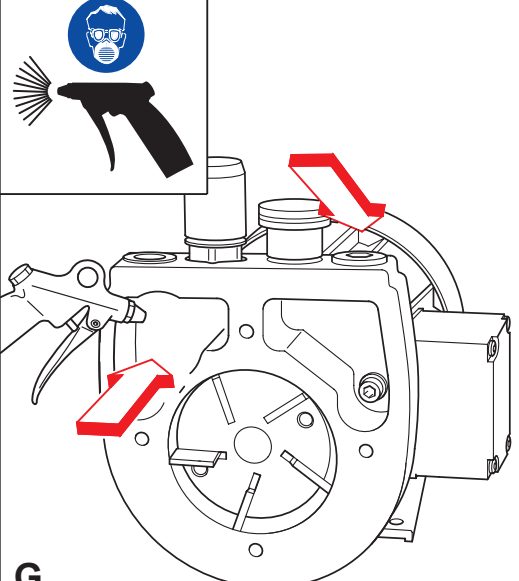


**3000 h**

$A_{MAX} = 16\text{mm}$   
 $A_{MIN} = 11\text{mm}$   
 $A_{FILTER} < 11\text{mm}$  !

 → No. 9013870005 (SET)

**F.**



**G.**



[www.becker-international.com](http://www.becker-international.com)



Gebr. Becker GmbH  
Hölker Feld 29-31  
D-42279 Wuppertal  
[info@becker-international.com](mailto:info@becker-international.com)

---



**SERVICE**  
[www.becker-international.com](http://www.becker-international.com)  
Sales and service network