

Betriebsanleitung
 Operating Instructions
 Instructions de service
 Istruzioni d'uso
 Handleiding
 Instrucciones para el manejo
 Manual de instruções
 Naudojimosi instrukcija
 Kasutusjuhend
 Lietošanas instrukcija
 Driftsinstruks
 Driftsinstruktioner
 Käyttöohje
 Driftsvejledning
 Instrukcja obsługi

Kezelési útmutató
 Návod k obsluze
 Navodilo za uporabo
 Návod na obsluhu
 Upute za rad
 Manual de operatii
 Treoracha Oibriúcháin
 Οδηγίες χρήσης
 El Kitabi
 Инструкции за експлоатация
 Инструкция по эксплуатации
 取扱説明書
 사용설명서
 使用说明书

VT 4.25

2006/42/EG

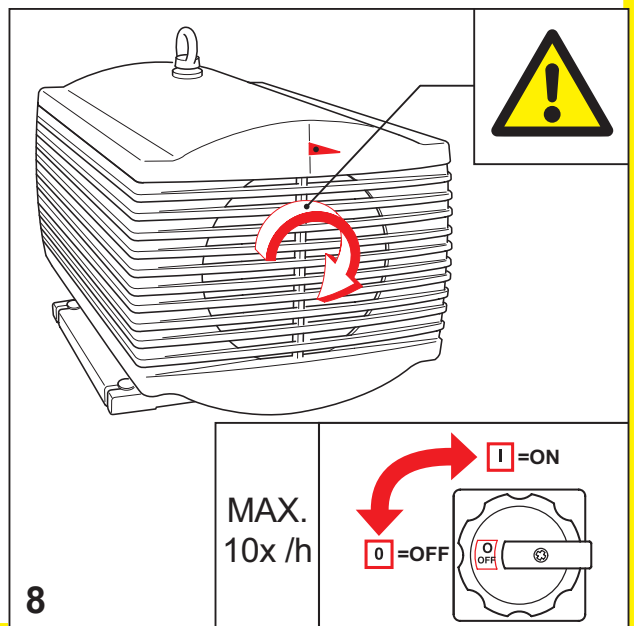
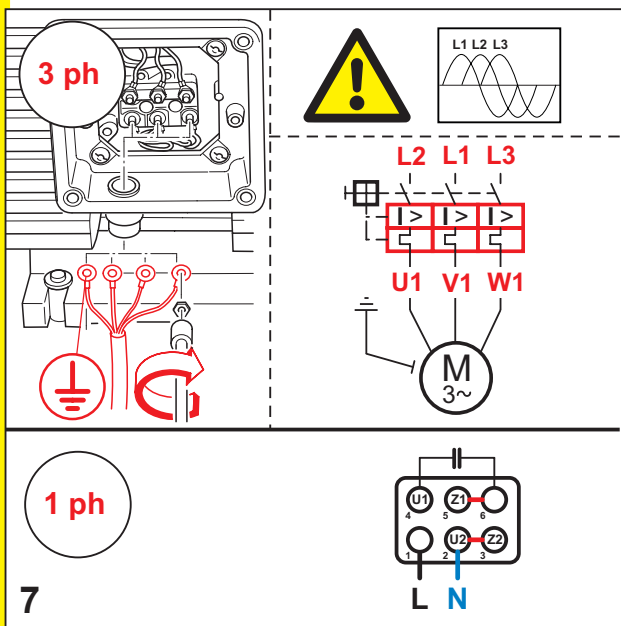
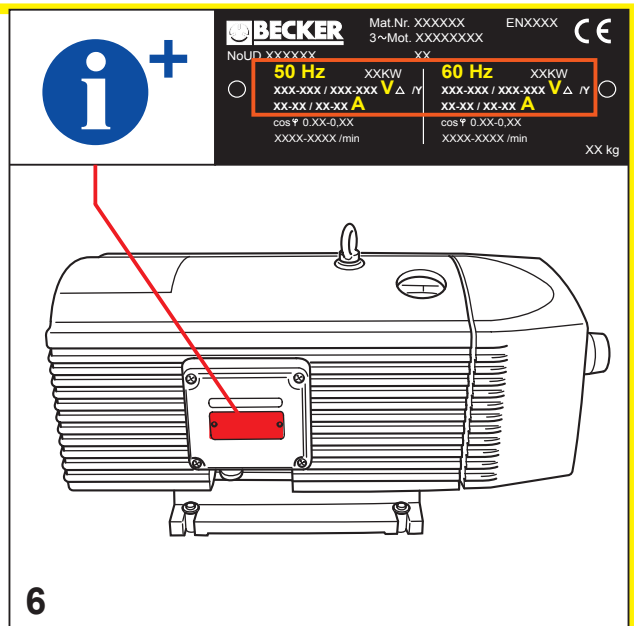
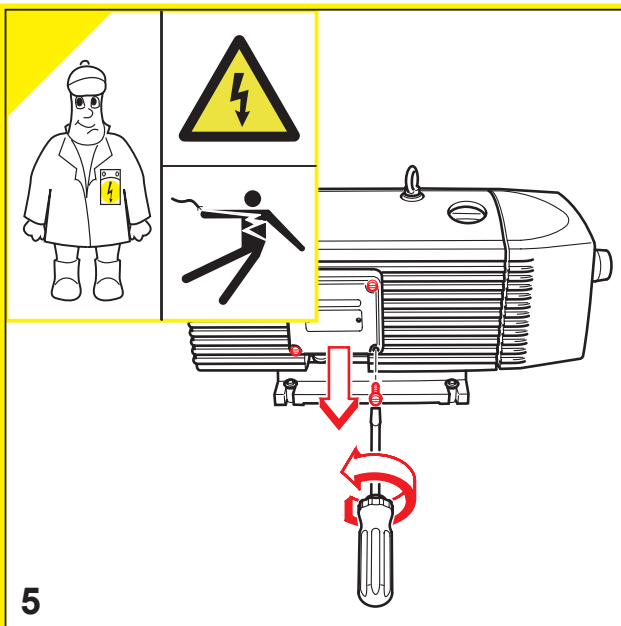
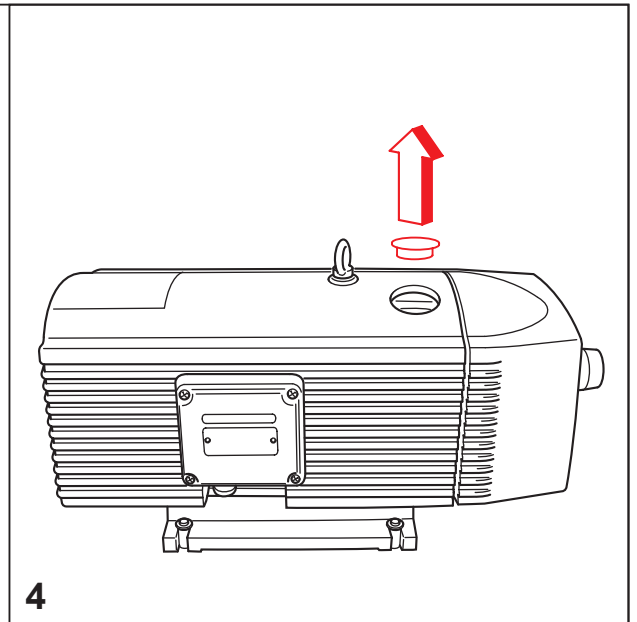
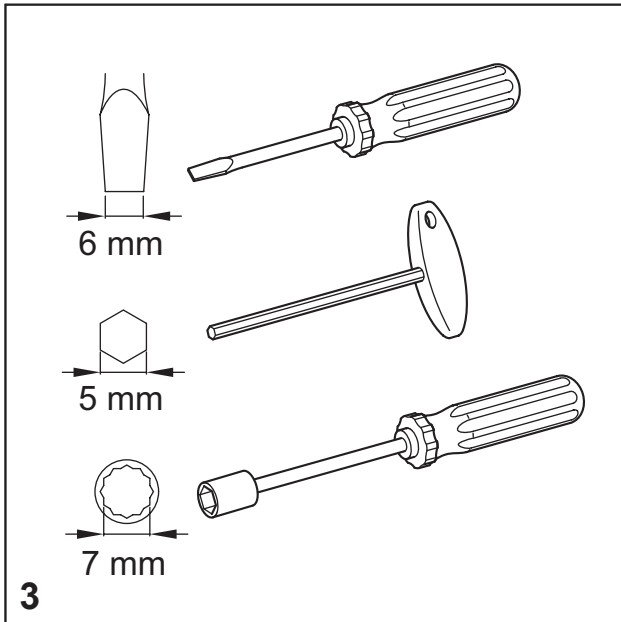


DIN EN ISO 14001:2005

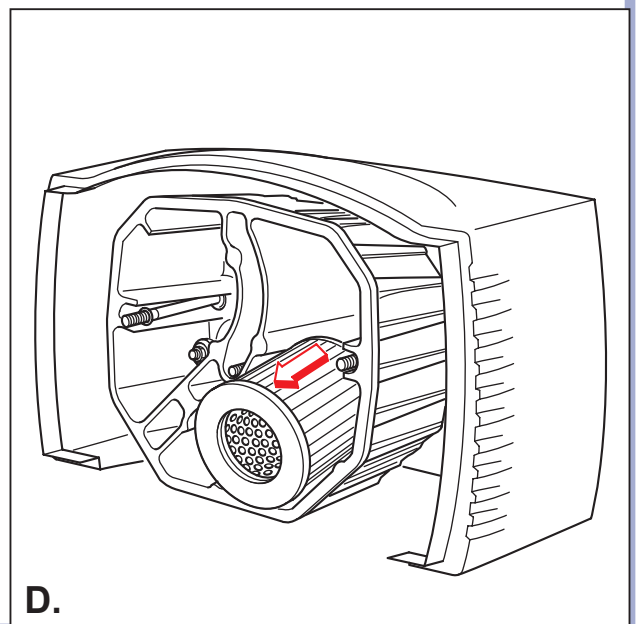
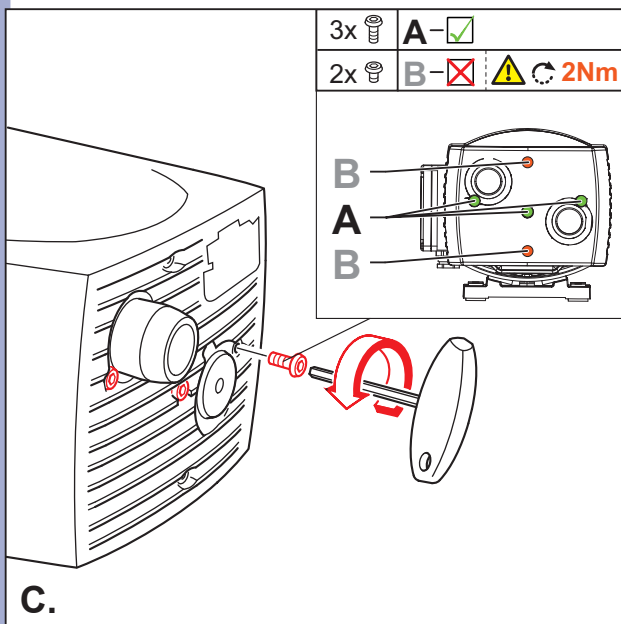
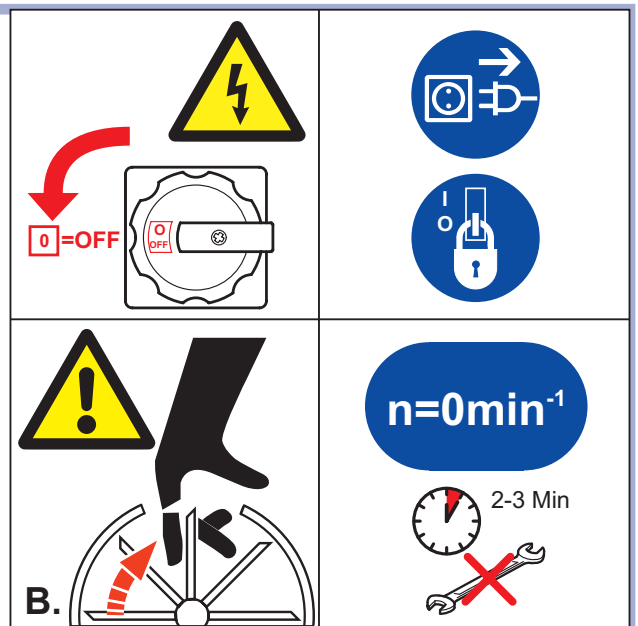
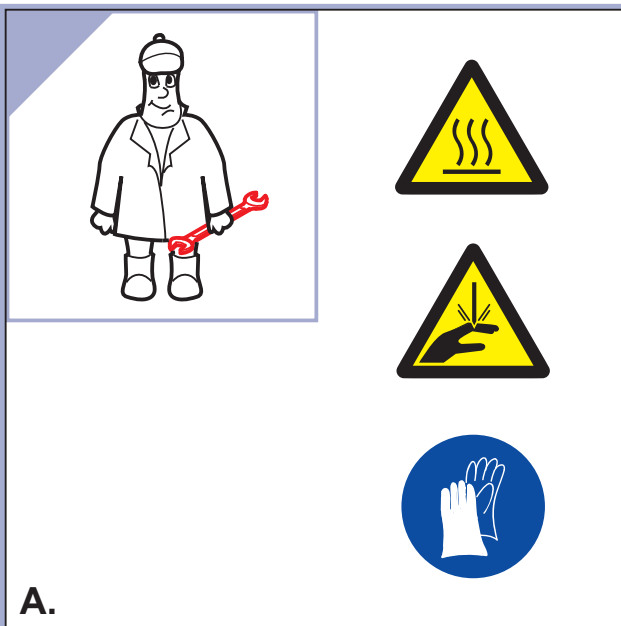
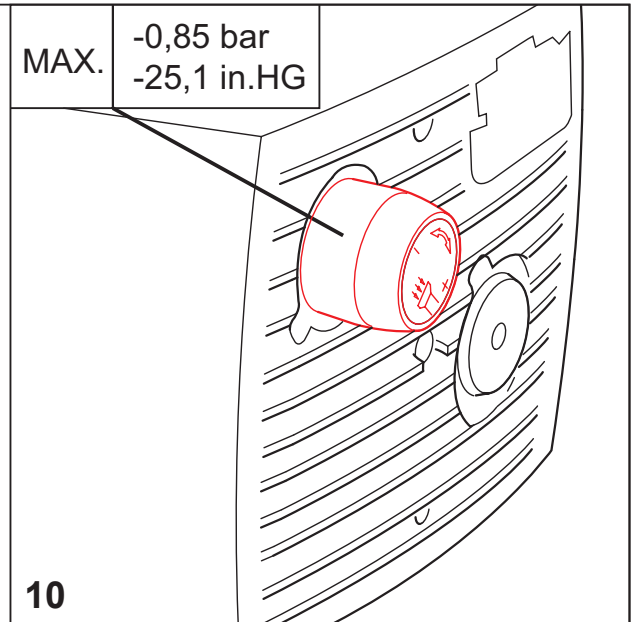
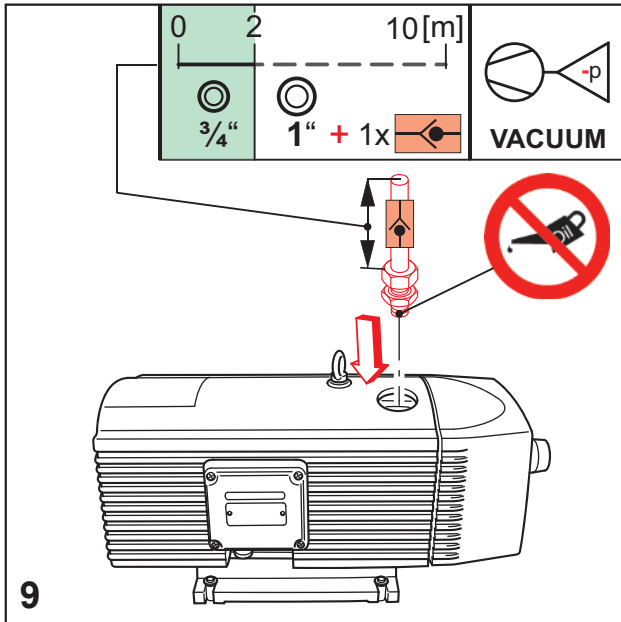
DIN EN ISO 9001
001929 QM



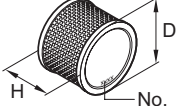
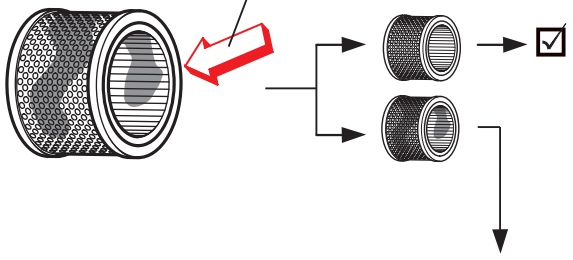
		<p>MAX. VACUUM</p>		mbar
			<p>MAX.</p>	
<p>AIR</p>			<p>DIN EN ISO 3744</p> <p> $L_{pA} = 62 \text{ dB(A)} - 50\text{Hz}$ $L_{pA} = 67 \text{ dB(A)} - 60\text{Hz}$ $K_{pA} = 3 \text{ dB(A)}$ </p>	

	<p> $A > 100\text{mm}$ $A > 4"$ $> 5^\circ\text{C}/41^\circ\text{F}$ $< 45^\circ\text{C}/113^\circ\text{F}$ </p>	<p>max. 90%</p>	<p>max. 800m</p>
<p>1</p> <p>26 kg 57 lbs</p>	<p>2</p>		

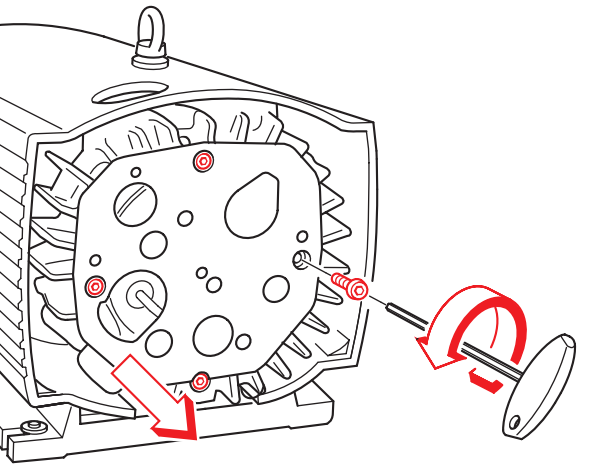


BECKER		Mat.Nr. XXXXXX	ENXXXX	CE
NoUn XXXXXX		3~Mot. XXXXXXXX	xx	
50 Hz	XXKW	60 Hz	XXKW	
XXX-XXX / XXX-XXX V Δ / Y		XXX-XXX / XXX-XXX V Δ / Y		
XX-XX / XX-XX A		XX-XX / XX-XX A		
cos φ 0.XX-0.XX		cos φ 0.XX-0.XX		
XXXX-XXXX /min		XXXX-XXXX /min		XX kg


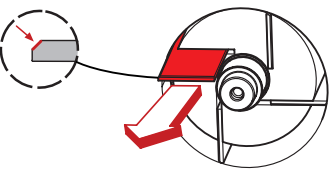
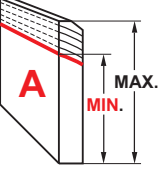



		
		
<p>D: 64 mm H: 70 mm No.: 909505</p>		



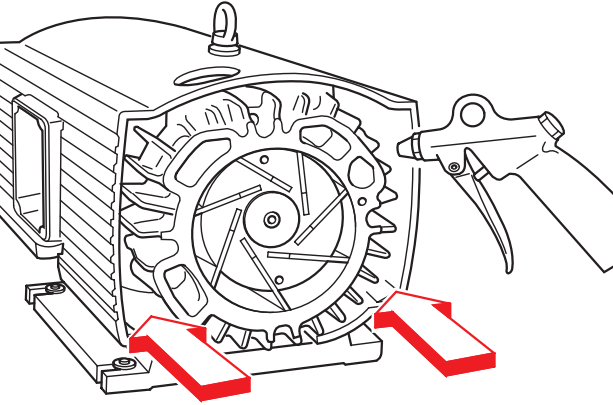
E.



F.

	
3000 h	
	<p>$A_{MIN} > 28mm$ $A_{MIN} < 28mm$</p> 
<p>VT 4.25 → No. 90134900007 (SET)</p>	

G.

H.



www.becker-international.com

BECKER

Gebr. Becker GmbH
Hölker Feld 29-31
D-42279 Wuppertal
info@becker-international.com

SERVICE
www.becker-international.com
Sales and service network